



# JTYJ-GD-2330/B

## Battery Operated Smoke Detector

*It is designed to give early warning of developing fires, provide precious escape time for you and your family before fire spreads.*

### Description

This smoke alarm is a battery operated smoke detector that utilizes photoelectric sensing technology.

When the smoke concentration on the site reaches the alarm threshold or the test button is pressed and held down, the LED of the alarm will turn from slow flashing to quick flashing and will give out sound alarm signals.

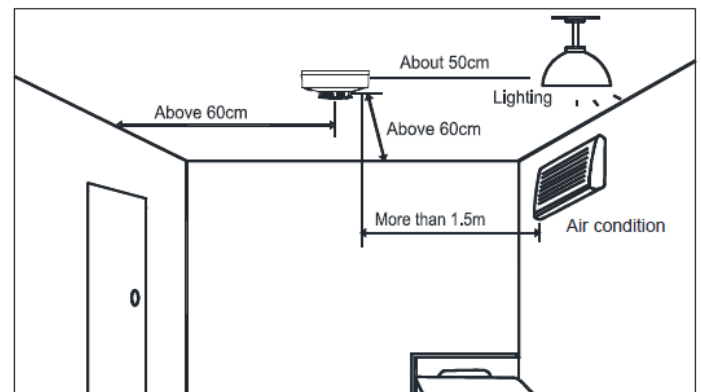
When the smoke concentration drops below the alarm threshold or the test button is released, the alarm will recover to its normal state (the Alarm state is not locked, the LED will restore to slow flashing and the alarm will stop).



### Functions

- JTYJ-GD-2330/B is powered by two AAA batteries.
- Sound alarm is given in case of low battery.
- Both audio and visual alarm signals will be given in case of fire.
- In the event of failure of photoelectric chamber of the detector, sound alarm is given.
- Test button is available for self-testing.
- Foolproof design that the battery compartment resists base closing unless batteries are installed.
- The smoke alarm is operating once a fresh battery is installed and testing is complete. When products of combustion are sensed, the smoke alarm will give audio and visual alarm.

### Where to install?



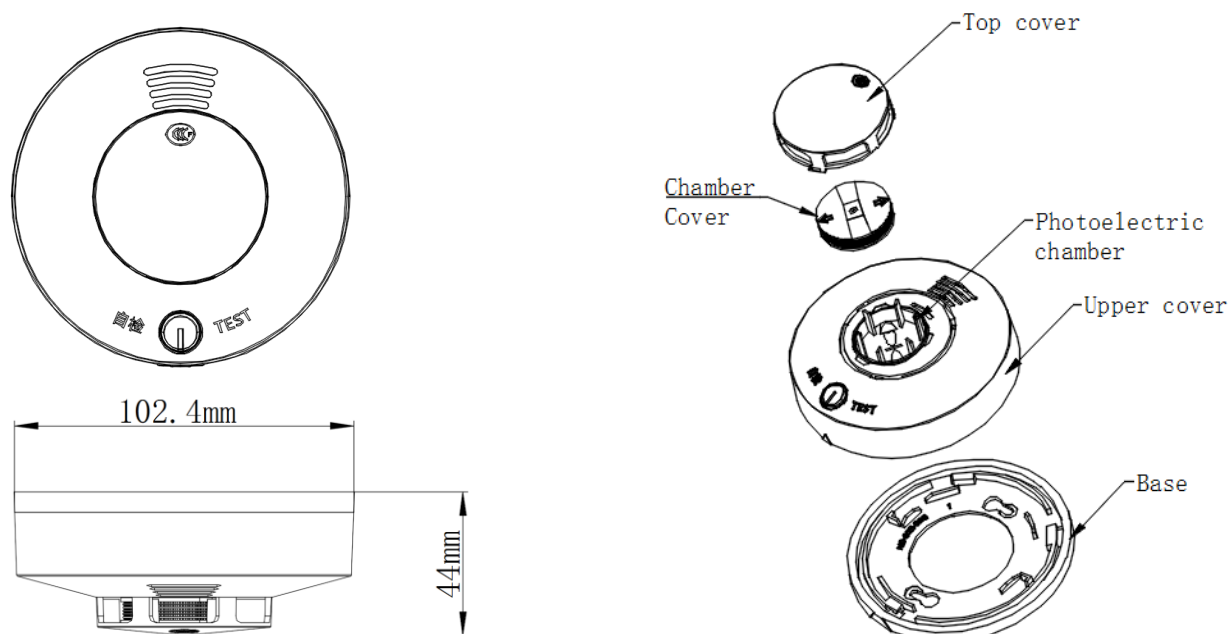
### Agency Listings



## Specifications

<b>Size</b>	102.4 mm in diameter ×44mm depth (With base)
<b>Weight</b>	About 96g (With base)
<b>Temperature Range</b>	-10°C to 55°C (14°F to 131°F)
<b>Humidity Range</b>	5% to 93% relative humidity (RH), no condensation
<b>Working Voltage</b>	3VDC (2 × AAA alkaline batteries)
<b>Battery</b>	Recommended brand -- BP, Energizer, Duracell, Panasonic
<b>Battery Service Life</b>	2 years under normal operating condition (The life may reduce depending on the operating condition)
<b>LED Flashing Period</b>	43 seconds (for normal monitoring); 0.5 second (for fire alarm); 0.5 second (for test)
<b>Sound Period</b>	Three sounds at an interval of 1.5 second (fire alarm); one sound every 43 seconds (low battery warning); three sounds every 43 seconds (failure of the photoelectric chamber)
<b>Audio Alarm</b>	≥ 80dB at 3m
<b>Max. Standby Current</b>	12μA
<b>Max. Alarm Current</b>	30 mA
<b>Executive standard</b>	GB20517-2006

## Appearance & Schematic Diagram



## Ordering Information

Model No.	Description	UOM
JTYJ-GD-2330/B	Battery Operated Smoke Detector (Batteries NOT included)	EA.