

LCD2-80

Liquid Crystal Display Terminal Mode/ACS Mode Annunciator


Annunciators

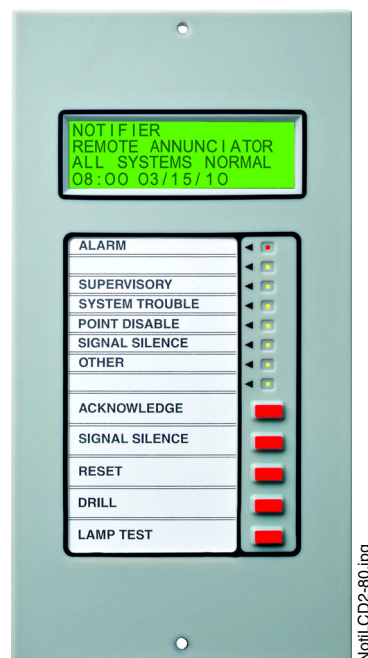
General

The LCD2-80 is a backlit LCD annunciator for the NOTIFIER fire alarm control panels, or network control annunciators that support the 80-character display format. LCD2-80s may be connected onto the four-wire EIA-485 terminal port.

The LCD2-80 mimics the display of NFS2-640, NFS2-3030, NFS-320, NCA-2 and legacy panels that supported the LCD-80/LCD-80TM. The NFS2-3030 and the NCA-2 also support LCD2-80s when set for LCD-80 supervision. Up to 32 LCD2-80s can annunciate and provide remote reset, acknowledge, drill and silence of the control panel from remote locations.

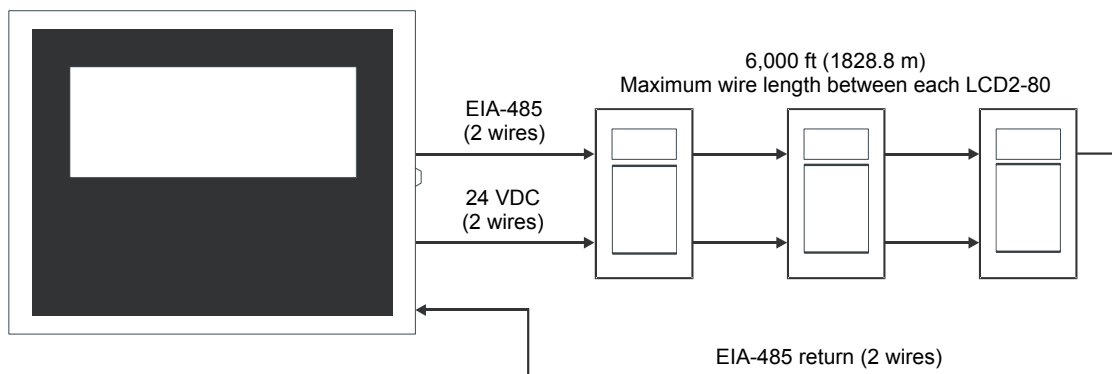
Features

- 80-character backlit Liquid Crystal Display (20 characters x 4 lines).
 - Display mimics panel or NCA:
 - Event message.
 - 20 characters for point label.
 - 12 characters for extended label.
 - Time, date and point address.
 - Control switches for System Acknowledge, Signal Silence Drill and System Reset.
 - LEDs for general off-normal events with UL 864 9th Edition Panels.
- NOTE:** The LEDs are only applicable when used with UL 864 Ninth Edition listed panels: NFS-320, NFS2-640, NFS2-3030, and NCA-2.
- ACS mode option for annunciation of user selected points. (VeriFire Tools 6.90 or higher required to program points.)
 - Up to 6000 foot segments between units.
 - Local piezo sounder with alarm/trouble resound.
 - Displays all analog, addressable points.
 - Displays device type identifiers.
 - Displays device and zone custom alpha labels.



- LCD2-80 mounts with any CHS-4 chassis slot.
- Slide-in label can be customized.
- Flush/surface/panel mount option.
- LCD2-80 displays time, date, and custom messages received from the compatible panel or network annunciator.
- LCD2-80 is 8.25" (20.96 cm) high, 4.375" (11.11 cm) wide, and 1.75" (4.45 cm) deep.
- Up to 32 LCD2-80s may be used on one EIA-485 circuit.

NOTE: Must have sufficient regulated 24 volt power.



NFS-320, NFS2-640, NFS2-3030, or NCA-2 connecting to LCD2-80

The ABF-1DB Backbox

The **ABF-1DB** is a semi-flush-mount backbox for the NOTIFIER LCD2-80 Series Annunciator. The ABF-1DB mounts one LCD2-80. It includes an attractive smoked-glass door with NOTIFIER keylock.

- **Dimensions, BOX only:** 9.938" (25.24 cm) high, 4.625" (11.75 cm) wide, 2.5" (6.35 cm) deep.
- **Dimensions, DOOR only:** 10.713" (27.21 cm) high, 6.0" (15.24 cm) wide, 0.75" (1.9 cm) deep.

Related Options

"C" suffix indicates ULC-Listed model.

ABF-1DB(C): Semi-flush box with alternative smoked-glass door, any keylock.

ADP-4B: Annunciator dress plate, black. Allows panel mounting of up to four LCD2-80 modules in a CAB-4 Series cabinet.

ABF-1B(C): Annunciator flush box, 9.938" (25.24 cm) high, 4.625" (11.75 cm) wide, and 2.5" (6.35 cm) deep. Order AKS-1B key switch and APJ-1B phone jack if desired. Can also be mounted in ABF-2B or ABF-4B annunciator backboxes.

ABS-1TB(C): Deep surface backbox (mounts one LCD2-80).

ABS-1B(C): The Annunciator Surface Box-1B (black) provides for the remote mounting of one annunciator module in a surface-mount enclosure. Knockouts are provided for use with 1/2" (1.27 cm) conduit. The annunciator mounts directly to the ABS-1B/C without a dress plate. 8.5" (21.59 cm) high x 4.5" (11.43 cm) wide x 2" (5.08 cm) deep. **NOTE:** The ABS-1B will not support the installation of the AKS-1B Annunciator Key Switch.

ABS-2B: Annunciator surface box, 8.5" (21.59 cm) high x 8.92" (22.66 cm) x 2" (5.08 cm) deep. Knockouts are provided for use with 1/2" (1.27 cm) conduit. The annunciators mount directly to the ABS-2B without a dress plate.

ABS-2D(C): Annunciator backbox, surface, black. UL/ULC Listed.

ABF-2B: Annunciator flush box, 9.938" (25.24 cm) high x 9.188" (23.34 cm) wide x 3.75" (9.525 cm) deep. Includes a painted metal trim plate [11" (27.94 cm) high x 10.625" (26.99 cm) wide] and adhesive-backed annunciator label.

ABF-2DB(C): Annunciator semi-flush mount backbox. Black with a smoked glass door with a keylock.

ABS-4D(C): The ABS-4D/C is a semi-flush-mount backbox for the ACS Series Annunciators. It mounts up to four modules, and can also accommodate the NCA-2 network annunciator, using the NCA-2 Retro Kit (NCA-2Retro); the NCA-2 is mounted in the center position with a blank plate (BMP-1) mounted on each side. Black with an attracted smoked glass door and keylock. The **ABS-4D** is hinged on the bottom for stability.

AKS-1B: Key Switch (black) to enable/disable controls when mounted in ABF-1B or ABS-1TB.

Agency Listings and Approvals

These listings and approvals apply to the modules specified in this document. In some cases, certain modules or applications

may not be listed by certain approval agencies, or listing may be in process. Consult factory for latest listing status.

- **UL Listed:** S635.
- **ULC Listed:** S527-11.
- **FDNY:** COA# 6212, 6211.
- **CSFM:** 7165-0028:0243, 7165-0028-0224.
- **FM Approved.**

Notifier® and VeriFire® Tools are registered trademarks of Honeywell International Inc.

©2017 by Honeywell International Inc. All rights reserved. Unauthorized use of this document is strictly prohibited.



This document is not intended to be used for installation purposes.
We try to keep our product information up-to-date and accurate.
We cannot cover all specific applications or anticipate all requirements.
All specifications are subject to change without notice.



Country of Origin: USA

For more information, contact Notifier. Phone: (203) 484-7161, FAX: (203) 484-7118.
www.notifier.com