

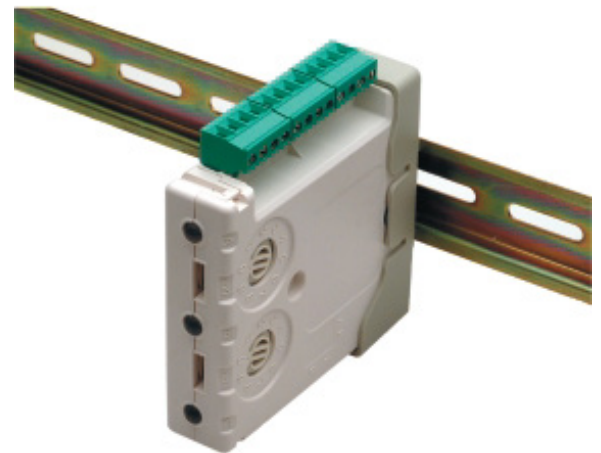
# MI-D2ICMO DUAL INPUT/ SINGLE OUTPUT ADDRESSABLE MODULE

The MI-D2ICMO dual input/single output modules are used with the Morley-IAS intelligent fire alarm control panels to provide a dual input circuit from external devices and a single relay control output circuit.

Each input is continuously monitored for normal, open circuit and alarm conditions. Any change in the status of the input circuits are communicated to the panel where the appropriate actions may be undertaken. A single pole volt free changeover relay is available for control of external devices or circuits.

The MI-D2ICMO requires three addresses per unit of the ninety-nine possible module addresses available on a loop. It responds to regular polling from the control panel indicated by a pulsing LED every successful communication.

The MI-D2ICMO uses a unique mechanical design allowing each module to be mounted either in a wall box (M200E-SMB) or on a DIN rail (using M200E-DIN). Irrespective of the mounting method chosen, the address switch is both visible and accessible for selection. To help engineers in the maintenance and fault finding process, both the LEDs and the address switches can be viewed without having to remove the cover of the mounting box. The LEDs, being multi colour, provide diagnostic information regarding the status of the output. For ease of installation, testing and maintenance, the field wiring terminals are of a plug in design.

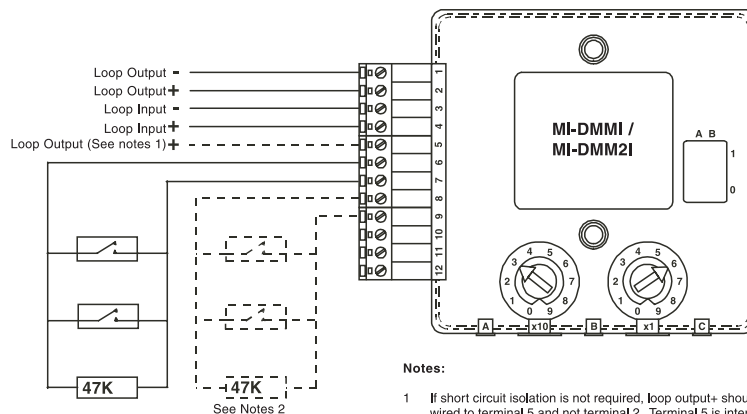
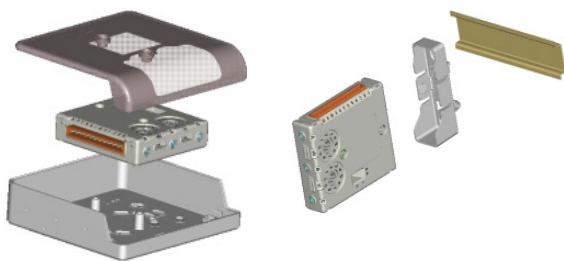
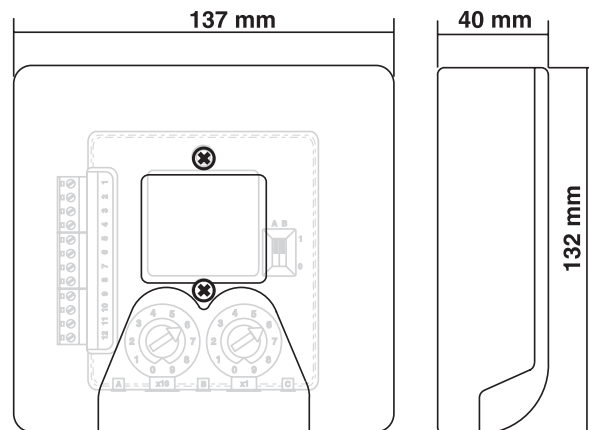
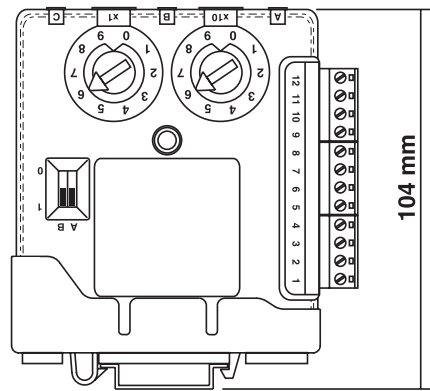


## FEATURES

- Dual inputs
- Single relay output
- rail mounting option
- Surface mounting option
- Tri-colour LED status indication
- Built-in short circuit isolators
- Visible address selector switches
- LED status visible in 2 planes
- Plug in connectors
- Approved to GEA GEI 1-082 and CEA GEI 1-084

# MI-D2ICMO DUAL INPUT/SINGLE OUTPUT SPECIFICATIONS

| Mechanical Specifications              |                                                             |
|----------------------------------------|-------------------------------------------------------------|
| Dimensions (H x W x D)                 | 93 x 94 x 23 (mm)                                           |
| Weight                                 | 110g                                                        |
| Operating Temperature                  | -20 °C to +60 °C                                            |
| Relative Humidity:                     | 0 to 95% maximum non-condensing                             |
| Electrical Specifications              |                                                             |
| Operating voltage                      | 15 to 30 Vdc                                                |
| Standby current                        |                                                             |
| No comms                               | 340µA at 24 Vdc maximum                                     |
| 1 comms every 5 seconds with LED blink | 660µA at 24 Vdc maximum                                     |
| Relay contacts rating                  | 2A at 30 Vdc, resistive load.                               |
| Terminal Wire                          | 2.5 mm <sup>2</sup> maximum                                 |
| Part Numbers                           |                                                             |
| MI-D2ICMO                              | Dual channel input/Single channel output addressable module |
| Accessories                            |                                                             |
| M200-SMB                               | Surface mounting box                                        |
| M200-DIN                               | DIN rail mounting clip                                      |



**Notes:**

- 1 If short circuit isolation is not required, loop output+ should be wired to terminal 5 and not terminal 2. Terminal 5 is internally connected to terminal 4.
- 2 The dashed line circuit connected to terminals 8 and 9 should only be used with the MI-DMM2I. There are no connections to these terminal on the MI-DMM1.
- 3 Provided the control panel is compatible, short circuit monitoring of the input circuit may be possible. An 18k Ohms resistor should be wired in series with each device switch being monitored.

For more information,  
<https://honeywellbuildings.in>  
 Call: 1-800-103-0339  
 Email: HBT-Indiabuildings@honeywell.com

**Honeywell HBT India Buildings**  
 Unitech Trade Center, 5th Floor, Sector-43,  
 Block C, Sushant Lok Phase - I,  
 Gurgaon - 122 002