

MI-DMMI-MI-DMM2I

ADDRESSABLE MONITOR

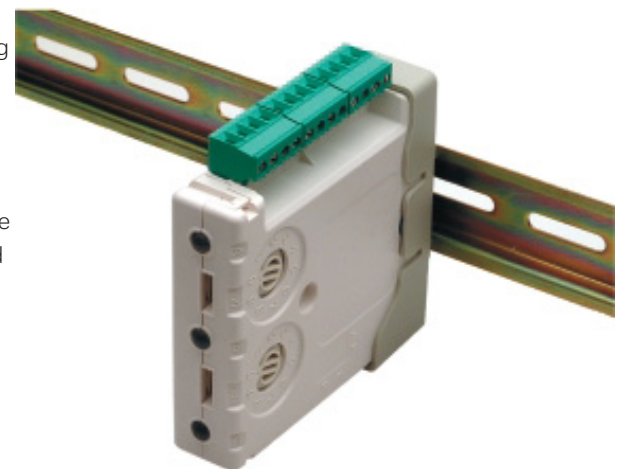
MODULE

The MI-DMMI and MI-DMM2I monitor modules are used with the Morley-IAS intelligent fire alarm control panels to provide a single or dual input circuit from external devices.

Each input is continuously monitored for normal, open circuit and alarm conditions. Changes to the status of the input circuits are communicated to the panel where the appropriate actions may be undertaken.

The MI-DMMI requires a single address and the MIDMM2I two addresses of the ninety-nine possible module addresses available on a loop. It responds to regular polling from the control panel indicated by a pulsing LED every successful communication.

The MI-DMMI and MI-DMM2I use a unique mechanical design allowing each module to be mounted either in a wall box (M200E-SMB) or on a DIN rail (using M200E-DIN). Irrespective of the mounting method chosen, the address switch is both visible and accessible for selection. To help engineers in the maintenance and fault finding process, both the LEDs and the address switches can be viewed without having to remove the cover of the mounting box. The LEDs, being multi colour, provide diagnostic information regarding the status of the output. For ease of installation, testing and maintenance, the field wiring terminals are of a plug in design.



FEATURES

- Single or dual inputs
- DIN rail mounting option
- Surface mounting option
- Tri-colour LED status indication
- Built-in short circuit isolators
- Visible address selector switches
- LED status visible in 2 planes
- Plug in connectors
- Approved to GEA GEI 1-082 and CEA GEI 1-084

MI-DMMIMI-DMM2I SPECIFICATIONS

Mechanical Specifications

Dimensions (H x W x D)	93 x 94 x 23 (mm)
Weight	
MI-DMMI	100g
MI-DMM2I	110g
Operating Temperature	-20 °C to +60 °C
Humidity	0 to 95% maximum non-condensing

Electrical Specifications

Operating voltage	15 to 30 Vdc
-------------------	--------------

Standby current

MI-DMMI

1 comms every 5 seconds with LED blink	510µA at 24 Vdc maximum
--	-------------------------

No comms	310µA at 24 Vdc maximum
----------	-------------------------

Output Rating	5A at 30 Vdc, resistive load. 5A at 240 Vac, resistive load.
---------------	--

MI-DMM2I

No comms	340µA at 24 Vdc maximum
----------	-------------------------

1 comms every 5 seconds with LED blink	600µA at 24 Vdc maximum
--	-------------------------

Terminal Wire	2.5 mm ² maximum
---------------	-----------------------------

Part Numbers

MI-DMMI	Single channel addressable input module
---------	---

MI-DMM2I	Dual channel addressable input module
----------	---------------------------------------

Accessories

M200E-SMB	Surface mounting box
-----------	----------------------

M200E-DIN	DIN rail mounting clip
-----------	------------------------

For more information,

<https://honeywellbuildings.in>

Call: 1-800-103-0339

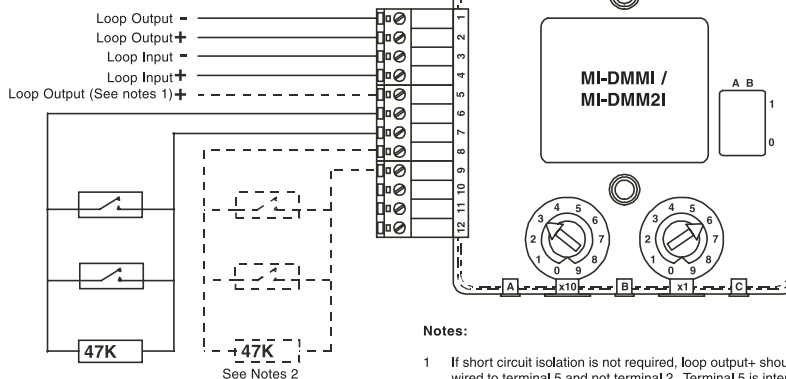
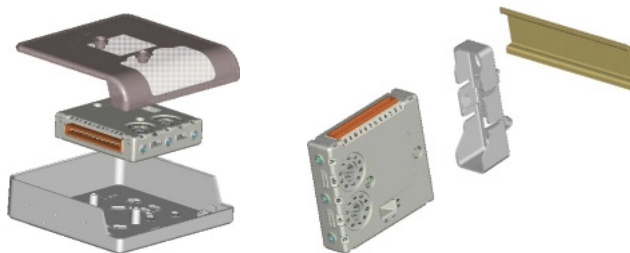
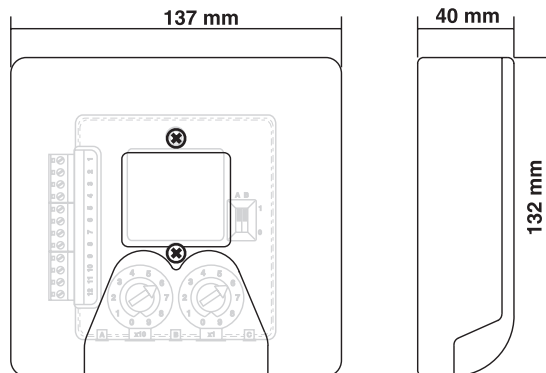
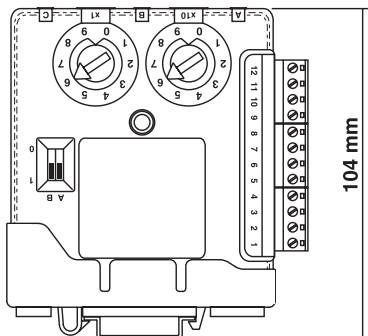
Email: HBT-Indiabuildings@honeywell.com

Honeywell HBT India Buildings

Unitech Trade Center, 5th Floor, Sector-43,
Block C, Sushant Lok Phase - I,
Gurgaon - 122 002

www.honeywell.com

© 2020 Honeywell International Inc.



**MI-DMMIMI-DMM2I
ADDRESSABLE
MONITOR MODULE**

Honeywell